



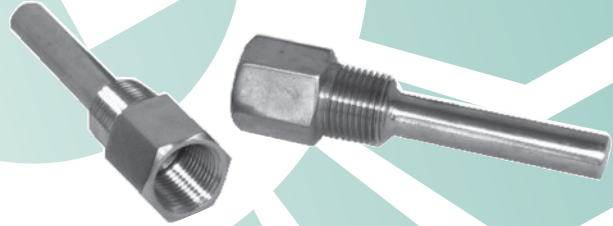
GREYSTONE ENERGY SYSTEMS INC

THERMOWELLS T1 Series

The T1 series thermowell are available in 304 series, 316 series stainless steel or high strength Delrin®. They are available in a wide range of lengths. Custom lengths and materials are also available.

SPECIFICATION:

Material	P - 304 Series stainless steel R - 316 Series stainless steel D - Delrin®: High strength, corrosion resistant polymer
Length	2", 4", 6", 8", 12" & 18" Standard Custom lengths available
Thread size	External - 1/2" NPT Internal - 1/2" NPSM
Construction	2"-18" - Machined Construction 12" up - S/S Welded Construction optional (for use with inert fluids only)



PART NUMBER SELECTED

PRODUCT SELECTION INFORMATION:

MODEL	Product Description
T1	Thermowell Series

CODE	External Thread Size
1/2	1/2" NPT

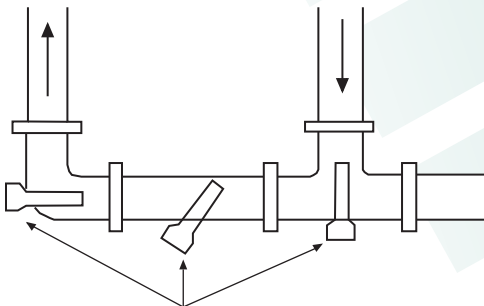
CODE	Material
P	304 Series Stainless Steel
R	316 Series Stainless Steel
D	High Strength Delrin®

CODE	Length
2	2" (50 mm)
4	4" (100 mm)
6	6" (150 mm)
8	8" (200 mm)
12	12" (300 mm)
18	18" (450 mm)

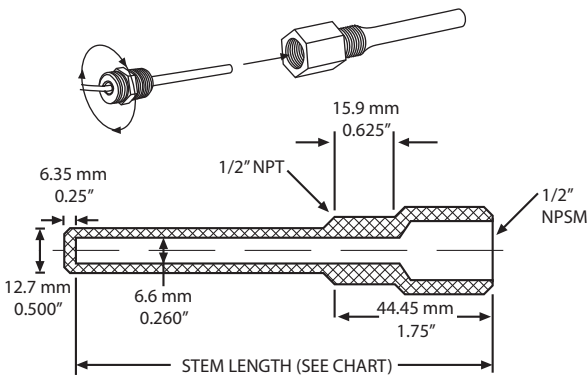
CODE	Options
W	Welded Construction (12" up only)

Greystone Energy Systems, Inc. reserves the right to make design modifications without prior notice. Also available in additional materials and stem lengths. Please contact Greystone.

TYPICAL INSTALLATION:

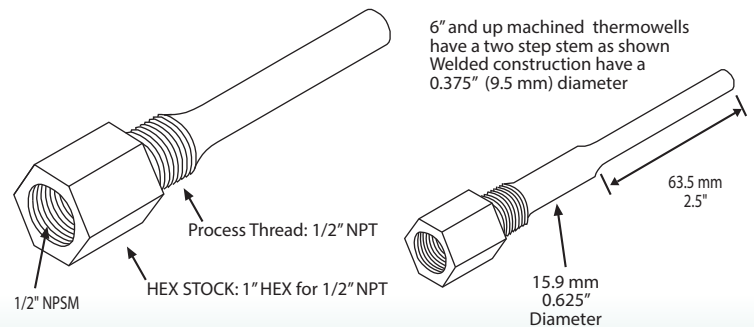


Thermowell placement in pipe



NOTE:

6" and up machined thermowells have a two step stem as shown
Welded construction have a 0.375" (9.5 mm) diameter



GREYSTONE ENERGY SYSTEMS INC

Greystone Energy Systems, Inc.
150 English Drive, Moncton,
New Brunswick, Canada E1E 4G7
(506) 853-3057 Fax: (506) 853-6014
North America: 1-800-561-5611
e-mail: mail@greystoneenergy.com
www.greystoneenergy.com

RoHS COMPLIANT

