

Damper actuator for adjusting air control dampers in ventilation and air-conditioning systems for building services installations

- Torque 16Nm
- Nominal voltage AC/DC 24V
- Control: Open-close (not made for 3-point applications)
- Running time 7s



Technical data

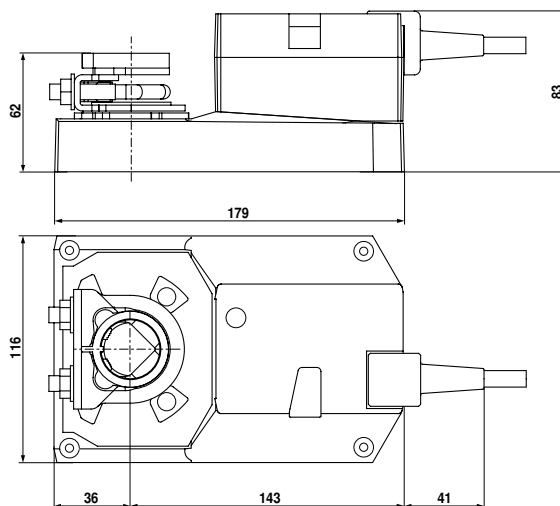
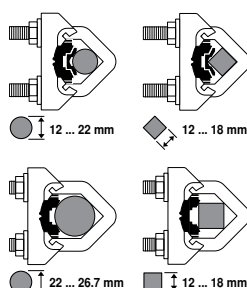
<b>Electrical data</b>	Nominal voltage	AC 24V, 50/60Hz / DC 24V
	Nominal voltage range	AC 19.2...28.8V / DC 21.6...28.8V
	Power consumption	In operation 15W @ nominal torque At rest 2W For wire sizing 26VA (I max. 20 A @ 5 ms)
	Connection	Cable 1m, 3 x 0.75mm <sup>2</sup>
<b>Functional data</b>	Torque (nominal torque)	Min. 16Nm @ nominal voltage
	Direction of rotation	Reversible with switch 0 ↻ resp. 1 ↻
	Manual override	Gearing latch disengaged with pushbutton, can be locked
	Angle of rotation	Max. 95°↔, can be limited at both ends with adjustable mechanical end stops
	Angle of rotation limiting	min. 30°↔
	Running time	7s / 90°↔
	Automatic adjustment of operating range to match the mechanical angle of rotation	Manual triggering of the adaption by pressing the «Adaption» button
	Sound power level	63dB(A)
	Position indication	Mechanical, pluggable
	Negative torque	⚠ ≤50% from nominal torque (with restrictions)*
<b>Safety</b>	Protection class	III Safety extra-low voltage, UL Class 2 Supply
	Degree of protection	IP54 in any mounting position, NEMA 2, UL Enclosure Type 2
	EMC	CE according to 2004/108/EC
	Certification	Certified to IEC/EN 60730-1 and IEC/EN 60730-2-14 cULus according to UL 60730-1A and UL 60730-2-14 and CAN/CSA E60730-1:02
	Mode of operation	Type 1
	Rated impulse voltage	0.8kV
	Control pollution degree	3
	Ambient temperature	-30...+40°C (no restrictions) ⚠ +40...+50°C (with restrictions)*
	Non-operating temperature	-40...+80°C
	Ambient humidity	95% r.H., non-condensating
Maintenance	Maintenance-free	
<b>Dimensions / Weight</b>	Dimensions	See «Dimensions»
	Weight	Approx. 1.9kg

\* Under these operating conditions, the lift cycle of actuator will be reduced. Please contact your Belimo representative for details

Dimensions [mm]

Dimensional drawings

Damper spindle	Length	⊙	■	◇
	≥52	12...26.7	≥12	≤25.5
	≥20	12...26.7	≥12	≤25.5



\* When using an auxiliary switch or feedback potentiometer.

UL marked actuators is optional, please contact your local Sales Representative for details.

**Modulating damper actuator for adjusting air control dampers in ventilation and air-conditioning systems for building services installations**

- Torque 16Nm
- Nominal voltage AC/DC 24V
- Control: modulating DC (0)2...10V
- Position feedback DC 2...10V
- Running time 7s


**Technical data**

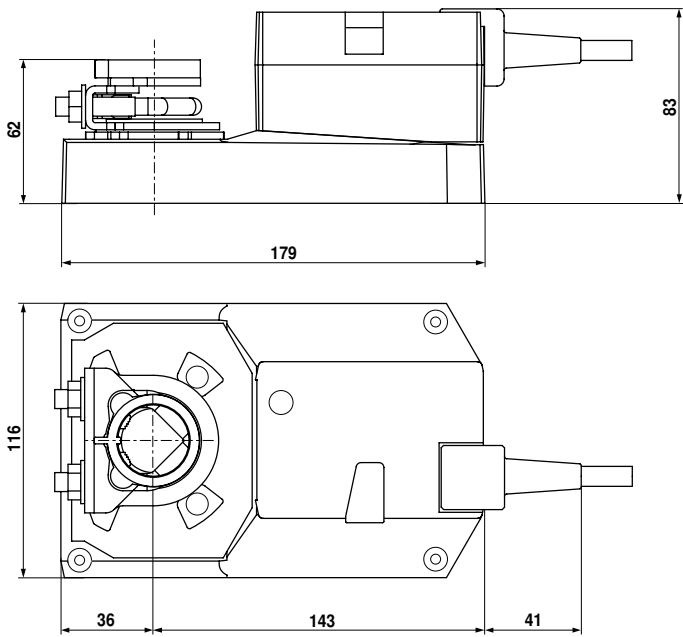
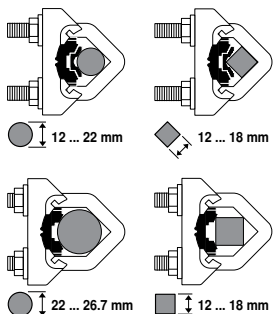
<b>Electrical data</b>	Nominal voltage	AC 24V, 50/60Hz / DC 24V	
	Nominal voltage range	AC 19.2...28.8V / DC 21.6...28.8V	
	Power consumption	In operation 15W @ nominal torque At rest 2W For wire sizing 26VA (I max. 20A @ 5ms)	
	Connection	Cable 1m, 4 x 0.75mm <sup>2</sup>	
<b>Functional data</b>	Torque (nominal torque)	Min. 16Nm @ nominal voltage	
	Control	Control signal Y DC (0)2...10V, input impedance 100kΩ Operating range DC 2...10V	
	Position feedback (Measuring voltage)	DC 2...10V, max. 0.5mA	
	Position accuracy	±5%	
	Direction of rotation	Reversible with switch 0 / 1	
	Direction of motion at Y = 0V	At switch position 0 ↻ resp. 1 ↻	
	Manual override	Gearing latch disengaged with pushbutton, can be locked	
	Angle of rotation	Max. 95°↔, can be limited at both ends with adjustable mechanical end stops	
	Angle of rotation limiting	min. 30°↔	
	Running time	7s / 90°↔	
	Automatic adjustment of operating range and measuring signal U to match the mechanical angle of rotation	Manual triggering of the adaption by pressing the «Adaption» button	
	Sound power level	63dB(A)	
	Position indication	Mechanical, pluggable	
	Negative torque	⚠ ≤50% from nominal torque (with restrictions)*	
	<b>Safety</b>	Protection class	III Safety extra-low voltage UL Class 2 Supply
		Degree of protection	IP54 in any mounting position, NEMA 2, UL Enclosure Type 2
EMC		CE according to 2004/108/EC	
Certification		Certified to IEC/EN 60730-1 and IEC/EN 60730-2-14 cULus according to UL 60730-1A and UL 60730-2-14 and CAN/CSA E60730-1:02	
Mode of operation		Type 1	
Rated impulse voltage		0.8kV	
Control pollution degree		3	
Ambient temperature		-30...+40°C (no restrictions) +50°C (with restrictions)*	
Non-operating temperature		⚠ -40...+80°C	
Ambient humidity		95% r.H., non-condensating	
Maintenance	Maintenance-free		
<b>Dimensions / Weight</b>	Dimensions	See «Dimensions»	
	Weight	Approx. 1.9kg	

\* Under these operating conditions, the lift cycle of actuator will be reduced. Please contact your Belimo representative for details

Dimensions [mm]

Dimensional drawings

Damper spindle	Length	○ I	■ I	◇ I
	≥52	12...26.7	≥12	≤25.5
*	≥20	12...26.7	≥12	≤25.5



\* When using an auxiliary switch or feedback potentiometer.

Damper actuator for adjusting air dampers in ventilation and air-conditioning systems for building services installations

- Torque 16Nm
- Nominal voltage AC 100...240V
- Control: Open-close or 3-point
- Running time 20s

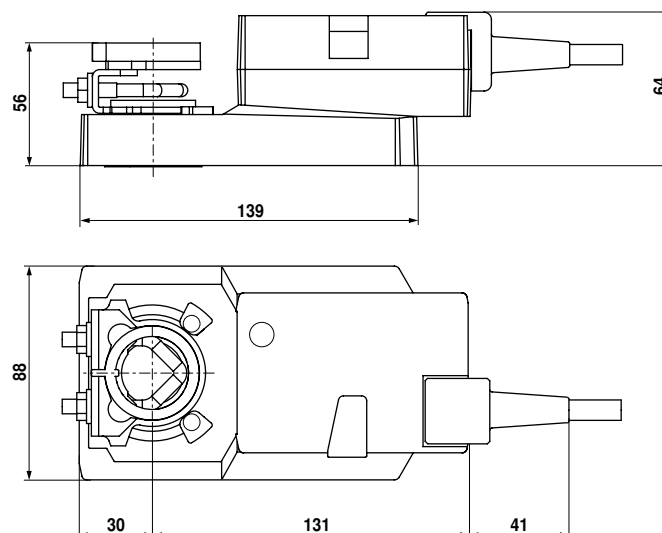


### Technical data

<b>Electrical data</b>	Nominal voltage	AC 100...240V, 50/60Hz
	Nominal voltage range	AC 85...265V
	Power consumption	In operation 4.5W @ nominal torque At rest 1W For wire sizing 8VA
	Connection	Cable 1m, 3 x 0.75mm <sup>2</sup>
<b>Functional data</b>	Torque (nominal torque)	Min. 16Nm @ nominal voltage
	Direction of rotation	Reversible with switch 0 ↺ resp. 1 ↻
	Manual override	Gearing latch disengaged with pushbutton, can be locked
	Angle of rotation	Max. 95°↔, can be limited at both ends with adjustable mechanical end stops
	Running time	20s / 90°↔
	Sound power level	Max. 55dB(A)
	Position indication	Mechanical, pluggable
	<b>Safety</b>	Protection class
Degree of protection		IP54 NEMA 2, UL Enclosure Type 2
EMC		CE according to 2004/108/EC
Low voltage directive		CE according to 2006/95/EC
Certification		Certified to IEC/EN 60730-1 and IEC/EN 60730-2-14 cULus according to UL 60730-1A and UL 60730-2-14 and CAN/CSA E60730-1:02
Mode of operation		Type 1
Rated impulse voltage		4kV
Control pollution degree		3
Ambient temperature range		-30...+50°C
Non-operating temperature		-40...+80°C
Ambient humidity range	95% r.h., non-condensating	
Maintenance	Maintenance-free	
<b>Dimensions / Weight</b>	Dimensions	See «Dimensions»
	Weight	Approx. 1.1kg

### Dimensions [mm]

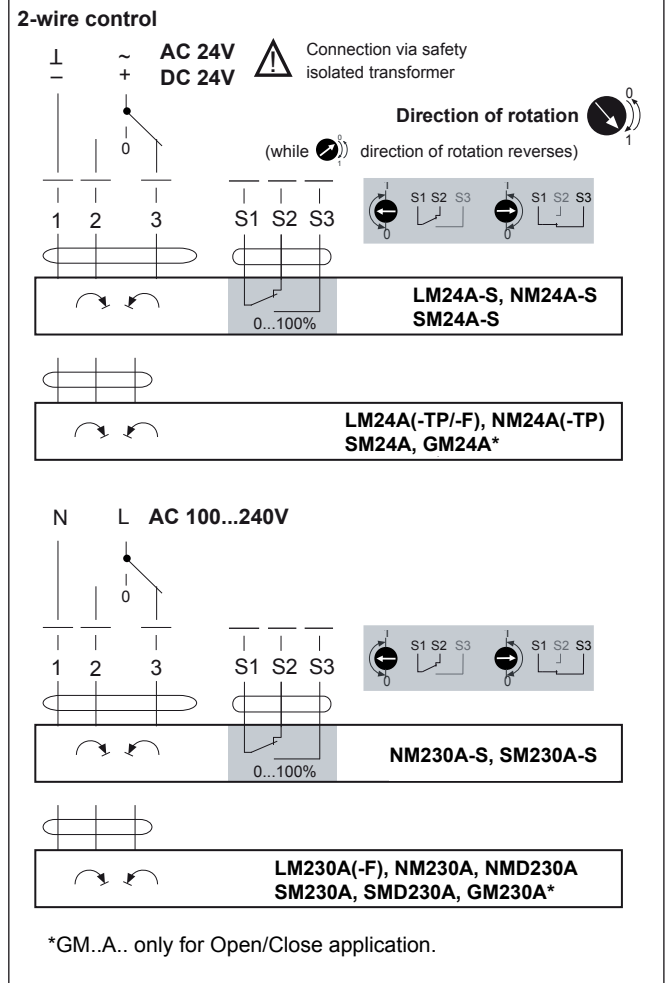
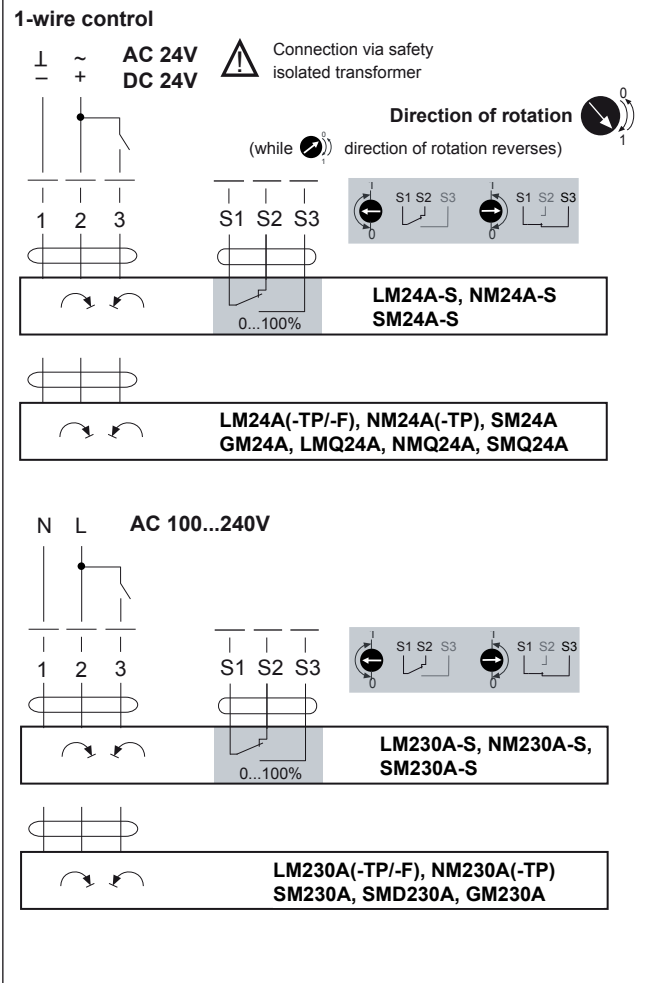
#### Dimensional drawings



Damper spindle	Length	● I	■ I	◆ I
	≥48	10...20 <sup>1)</sup>	≥10	≤20
	≥20	10...20 <sup>1)</sup>	≥10	≤20

1) CrNi (INOX) 12...20

Wiring diagrams: Open/Close actuators – parallel connection possible, please note the performance data



Wiring diagrams: Modulating actuators – parallel connection possible, please note the performance data

