



# GREYSTONE ENERGY SYSTEMS INC

## ROOM HUMIDITY /TEMPERATURE TRANSMITTER RH110B Series

The RH110B series uses a highly accurate and reliable Thermoset Polymer based capacitance humidity sensor and Platinum RTD temperature sensor together with state-of-the-art digital linearization and temperature compensated circuitry in an attractive, low profile enclosure to monitor room humidity & temperature levels.

### SPECIFICATION:

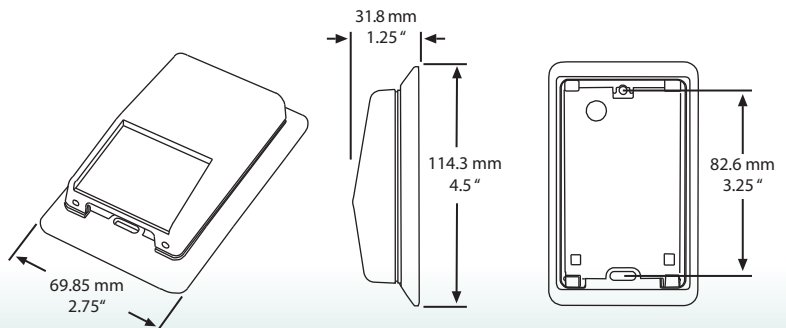
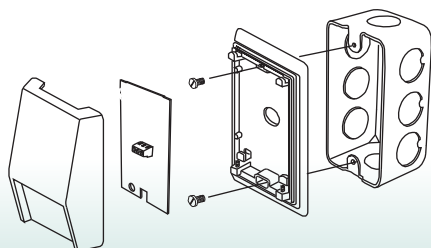
Humidity Sensor Type.....Thermoset Polymer based capacitive  
 Accuracy .....±2, 3, or 5% RH, (5% to 95% RH)  
 Measurement Range.....0 to 100% RH  
 Temperature Dependence.....±0.05% RH/ °C  
 Hysteresis .....±1.5% RH maximum  
 Repeatability.....±0.5% RH typical  
 Linearity.....±0.5% RH typical  
 Stability.....±1% RH typical at 50% RH in 5 yrs.  
 Sensor Response Time.....15 seconds typical  
 Sensitivity.....0.1% RH  
 Temperature Sensor Type.....1000 Ω Platinum, IEC751,  
 385 Alpha, thin film  
 Class B: ±0.3°C @ 0°C  
 Accuracy .....±0.1% of span  
 Operating Temperature .....0° to 70°C (32° to 158°F)  
 Operating Humidity .....0 to 95% RH non-condensing  
 Power Supply.....18 to 35 Vdc  
 Consumption.....22 mA maximum  
 Input Voltage Effect.....Negligible over specified operating range  
 Protection Circuitry.....Reverse voltage protected and output limited  
 Output Signal.....4-20 mA loop-powered  
 Output Drive at 24 Vdc.....550 ohms max  
 Internal Adjustments.....Clearly marked ZERO and SPAN pots  
 Wiring Connections.....Screw terminal block (14 to 22 AWG)  
 Enclosures.....IP20 (Nema 1), 70x114x32mm  
 2.75" w x 4.5" h x 1.25" d)

### TYPICAL INSTALLATION:

**For complete installation and wiring details, please refer to the product installation instructions.**

The RH110B series can be mounted directly to a single gang electrical box or directly to a wall. Insulating foam is adhered to the back of the enclosure to provide a thermal barrier from wall temperatures.

A terminal block connection is provided. for connection to the Building Automation System.



### PART NUMBER SELECTED

### PRODUCT SELECTION INFORMATION:

MODEL	Product Description
RH110B	Room Humidity/Temperature Transmitter

CODE	RH Accuracy
02C	2%
03C	3%
05C	5%

CODE	Scaled Temperature Range
1A1	0° - 35°C (32° - 95°F)
1A2	0° - 50°C (32° - 122°F)

Greystone Energy Systems, Inc. reserves the right to make design modifications without prior notice.

### Custom Temperature Range:

Greystone Energy Systems, Inc.  
150 English Drive, Moncton, NB  
Canada E1E 4G7

(506) 853-3057 Fax: (506) 853-6014  
North America: 1-800-561-5611  
e-mail: mail@greystoneenergy.com  
www.greystoneenergy.com

RoHS COMPLIANT

