



# GREYSTONE ENERGY SYSTEMS INC

## AC CURRENT SWITCHES HIGH OUTPUT WITH TIME DELAY CS-425-HC Series

The CS-425-HC products are solid-state current switches with N.O. triac outputs to control high-current line-voltage AC loads. All models have a factory set trip level of approximately 1 Amp and require no field adjustment for easy installation. Internal circuits are powered by induction from the line being monitored and all models are cULu certified.

The CS-425-HC series can operate a dryer booster fan directly. These devices sense when a clothes dryer is drawing 1 Amp of current and then closes the output switch to activate the dryer vent booster fan. When the dryer cycle is complete and the current drops below the threshold, the output switch will remain closed for a pre-set delay time to allow heat to be removed from the vent before the switch is opened again. The device output can switch 120 Vac loads up to 2.5 Amps.



### SPECIFICATIONS:

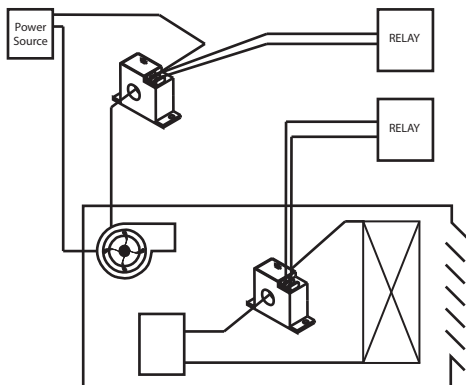
- Maximum Core Current..... 50 Amps
- Operating Temperature..... 0 to 40°C (32 to 104°F)
- Trip Set-Point..... Approximately 1 Amps
- Enclosure Size..... 49 x 87 x 25 mm (1.95" x 3.45" x 1") - (H x W x D)
- AC Conductor Hole..... 20 mm (0.8") Diameter
- Switch Rating..... 120 Vac @ 2.5 Amps Max.
- Switch Type..... Solid-state triac
- Off-state Leakage..... <1 mA
- Turn on time / Turn off time..... <200 ms 0, 5, 10 or 15 mins
- Operating Humidity..... 0 - 95% RH non-condensing
- Material..... UL 94V-0 flammability rated ABS. Insulation Class 600V
- Mounting Holes..... 2 x 5 mm holes spaced 76 mm on base (2 x 0.19" holes spaced 3" on base)
- Agency Approvals..... cULus Listed

### PRODUCT ORDERING INFORMATION:

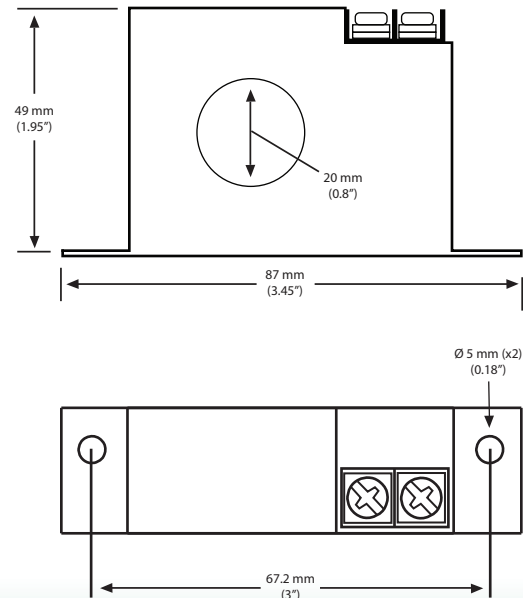
MODEL	Product Description
CS-425-HC-0	AC Current Switches High Output with No Time Delay
CS-425-HC-5	AC Current Switches High Output with 5 Minute Time Delay
CS-425-HC-10	AC Current Switches High Output with 10 Minute Time Delay
CS-425-HC-15	AC Current Switches High Output with 15 Minute Time Delay

Greystone Energy Systems, Inc. reserves the right to make design modifications without prior notice.

### TYPICAL INSTALLATION:



### Solid Core CS-425 Series Current Switch



Greystone Energy Systems, Inc.  
150 English Drive, Moncton,  
New Brunswick, Canada E1E 4G7

(506) 853-3057 Fax: (506) 853-6014  
North America: 1-800-561-5611  
e-mail: mail@greystoneenergy.com  
www.greystoneenergy.com

