

Damper actuator for adjusting air control dampers in ventilation and air-conditioning systems for building services installations

- Torque 8Nm
- Nominal voltage AC/DC 24V
- Control: Open-close (not made for 3-point applications)
- Running time 4s



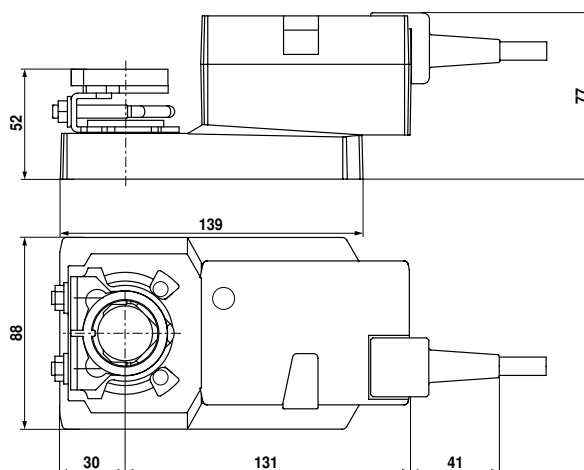
Technical data

| | | |
|----------------------------|---|--|
| Electrical data | Nominal voltage | AC 24V, 50/60Hz / DC 24V |
| | Nominal voltage range | AC 19.2...28.8V / DC 21.6...28.8V |
| | Power consumption | In operation 13W @ nominal torque At rest 2W For wire sizing 23VA (I max. 20A @ 5ms) |
| | Connection | Cable 1m, 3 x 0.75mm ² |
| Functional data | Torque (nominal torque) | Min. 8Nm @ nominal voltage |
| | Direction of rotation | Reversible with switch 0 ↺ resp. 1 ↻ |
| | Manual override | Gearing latch disengaged with pushbutton, can be locked |
| | Angle of rotation | Max. 95°↔, can be limited at both ends with adjustable mechanical end stops |
| | Angle of rotation limiting | min. 30°↔ |
| | Running time | 4s / 90°↔ |
| | Automatic adjustment of operating range to match the mechanical angle of rotation | Manual triggering of the adaption by pressing the «Adaption» button |
| | Sound power level | 52dB(A) |
| | Position indication | Mechanical, pluggable |
| | Negative torque | ⚠ ≤50% from nominal torque (with restrictions)* |
| Safety | Protection class | III Safety extra-low voltage, UL Class 2 Supply |
| | Degree of protection | IP54 in any mounting position, NEMA 2, UL Enclosure Type 2 |
| | EMC | CE according to 2004/108/EC |
| | Certification | Certified to IEC/EN 60730-1 and IEC/EN 60730-2-14 cULus according to UL 60730-1A and UL 60730-2-14 and CAN/CSA E60730-1:02 |
| | Mode of operation | Type 1 |
| | Rated impulse voltage | 0.8kV |
| | Control pollution degree | 3 |
| | Ambient temperature | -30...+40°C (no restrictions) ⚠ +40...+50°C (with restrictions)* |
| | Non-operating temperature | -40...+80°C |
| | Ambient humidity | 95% r.H., non-condensating |
| Maintenance | Maintenance-free | |
| Dimensions / Weight | Dimensions | See «Dimensions» |
| | Weight | Approx. 1.1kg |

* Under these operating conditions, the lift cycle of actuator will be reduced. Please contact your Belimo representative for details

Dimensions [mm]

Dimensional drawings





| Damper spindle | Length | ● I | ■ I | ◆ I |
|----------------|--------|----------|-----|-------|
| | ≥42 | 8...26.7 | ≥8 | ≤26.7 |
| * | ≥20 | 8...20 | ≥8 | ≤20 |

* Option (accessory K-SA)
When using an auxiliary switch or feedback potentiometer.

Modulating damper actuator for adjusting air control dampers in ventilation and air-conditioning systems for building services installations

- Torque 8Nm
- Nominal voltage AC/DC 24V
- Control: modulating DC (0)2...10V
- Position feedback DC 2...10V
- Running time 4s

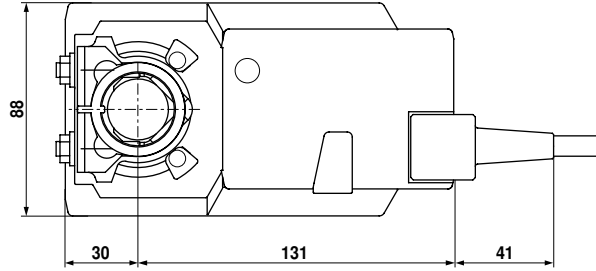
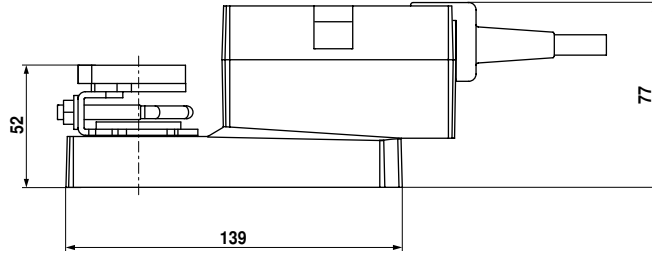


| Technical data | | |
|----------------------------|--|--|
| Electrical data | Nominal voltage | AC 24V, 50/60Hz / DC 24V |
| | Nominal voltage range | AC 19.2...28.8V / DC 21.6...28.8V |
| | Power consumption | In operation 13W @ nominal torque At rest 2W For wire sizing 23VA (I max. 20A @ 5ms) |
| | Connection | Cable 1m, 4 x 0.75mm ² |
| Functional data | Torque (nominal torque) | Min. 8Nm @ nominal voltage |
| | Control | Control signal Y DC (0)2...10V, input impedance 100kΩ Operating range DC 2...10V |
| | Position feedback (Measuring voltage) | DC 2...10V, max. 0.5mA |
| | Position accuracy | ±5% |
| | Direction of rotation | Reversible with switch 0 / 1 |
| | Direction of motion at Y = 0 V | At switch position 0 ↺ resp. 1 ↻ |
| | Manual override | Gearing latch disengaged with pushbutton, can be locked |
| | Angle of rotation | Max. 95°↔, can be limited at both ends with adjustable mechanical end stops |
| | Angle of rotation limiting | min. 30°↔ |
| | Running time | 4s / 90°↔ |
| | Automatic adjustment of operating range and measuring signal U to match the mechanical angle of rotation | Manual triggering of the adaption by pressing the «Adaption» button |
| | Sound power level | 52dB(A) |
| | Position indication | Mechanical, pluggable |
| | Negative torque |  ≤50% from nominal torque (with restrictions)* |
| Safety | Protection class | III Safety extra-low voltage UL Class 2 Supply |
| | Degree of protection | IP54 in any mounting position NEMA 2, UL Enclosure Type 2 |
| | EMC | CE according to 2004/108/EC |
| | Certification | Certified to IEC/EN 60730-1 and IEC/EN 60730-2-14 cULus according to UL 60730-1A and UL 60730-2-14 and CAN/CSA E60730-1:02 |
| | Mode of operation | Type 1 |
| | Rated impulse voltage | 0.8kV |
| | Control pollution degree | 3 |
| | Ambient temperature | -30...+40°C (no restrictions)  +50°C (with restrictions)* |
| | Non-operating temperature | -40...+80°C |
| | Ambient humidity | 95% r.H., non-condensating |
| Maintenance | Maintenance-free | |
| Dimensions / Weight | Dimensions | See «Dimensions» |
| | Weight | Approx. 1.2kg |

* Under these operating conditions, the lift cycle of actuator will be reduced. Please contact your Belimo representative for details

Dimensions [mm]

Dimensional drawings



| Damper spindle | Length | ● I | ■ I | ◆ I |
|----------------|--------|----------|-----|-------|
| | ≥42 | 8...26.7 | ≥8 | ≤26.7 |
| * | ≥20 | 8...20 | ≥8 | ≤20 |

* Option (accessory K-SA)
When using an auxiliary switch or feedback potentiometer.

Damper actuator for adjusting air dampers in ventilation and air-conditioning systems for building services installations

- Torque 8Nm
- Nominal voltage AC 100...240V
- Control: Open-close or 3-point
- Running time 20s

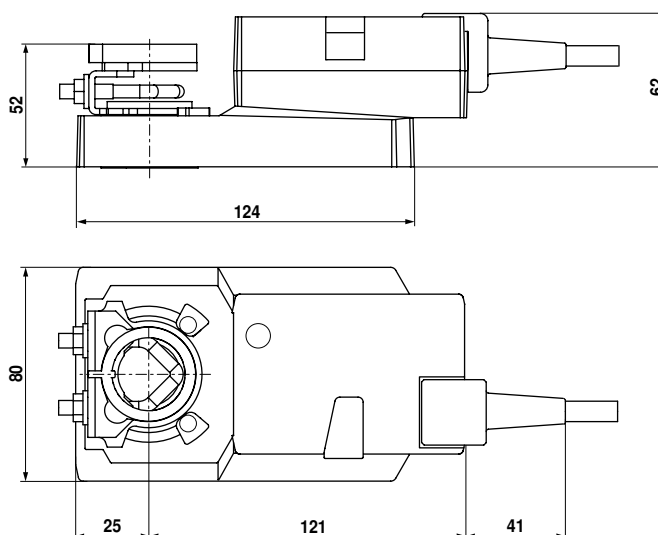


Technical data

| | | |
|----------------------------|----------------------------|---|
| Electrical data | Nominal voltage | AC 100...240V, 50/60Hz |
| | Nominal voltage range | AC 85...265V |
| | Power consumption | In operation 3W @ nominal torque At rest 1W For wire sizing 5.5VA |
| | Connection | Cable 1m, 3 x 0.75mm ² |
| Functional data | Torque (nominal torque) | Min. 8Nm @ nominal voltage |
| | Direction of rotation | Reversible with switch 0 ↺ or 1 ↻ |
| | Manual override | Gearing latch disengaged with pushbutton, detentable |
| | Angle of rotation | Max. 95°↔, can be limited at both ends with adjustable mechanical end stops |
| | Running time | 20s / 90°↔ |
| | Sound power level | Max. 55dB(A) |
| | Position indication | Mechanical, pluggable |
| | Safety | Protection class |
| Degree of protection | | IP54 NEMA 2, UL Enclosure Type 2 |
| EMC | | CE according to 2004/108/EC |
| Low voltage directive | | CE according to 2006/95/EC |
| Certification | | Certified to IEC/EN 60730-1 and IEC/EN 60730-2-14 cULus according to UL 60730-1A and UL 60730-2-14 and CAN/CSA E60730-1:02 |
| Mode of operation | | Type 1 |
| Rated impulse voltage | | 4kV |
| Control pollution degree | | 3 |
| Ambient temperature range | | -30...+50°C |
| Non-operating temperature | | -40...+80°C |
| Ambient humidity range | 95% r.h., non-condensating | |
| Maintenance | Maintenance-free | |
| Dimensions / Weight | Dimensions | See «Dimensions» |
| | Weight | Approx. 0.85kg |

Dimensions [mm]

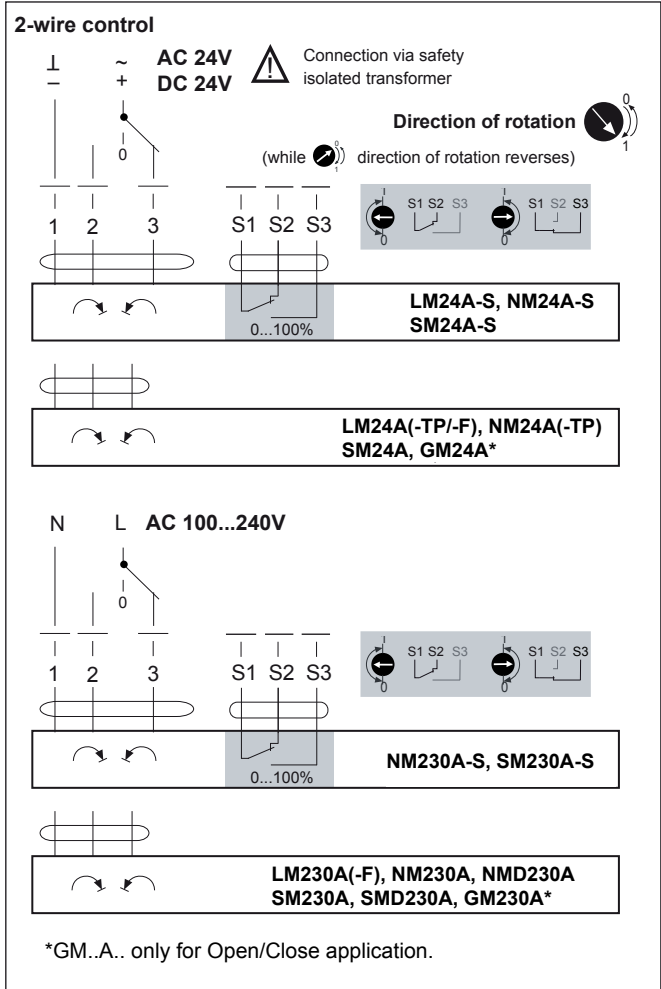
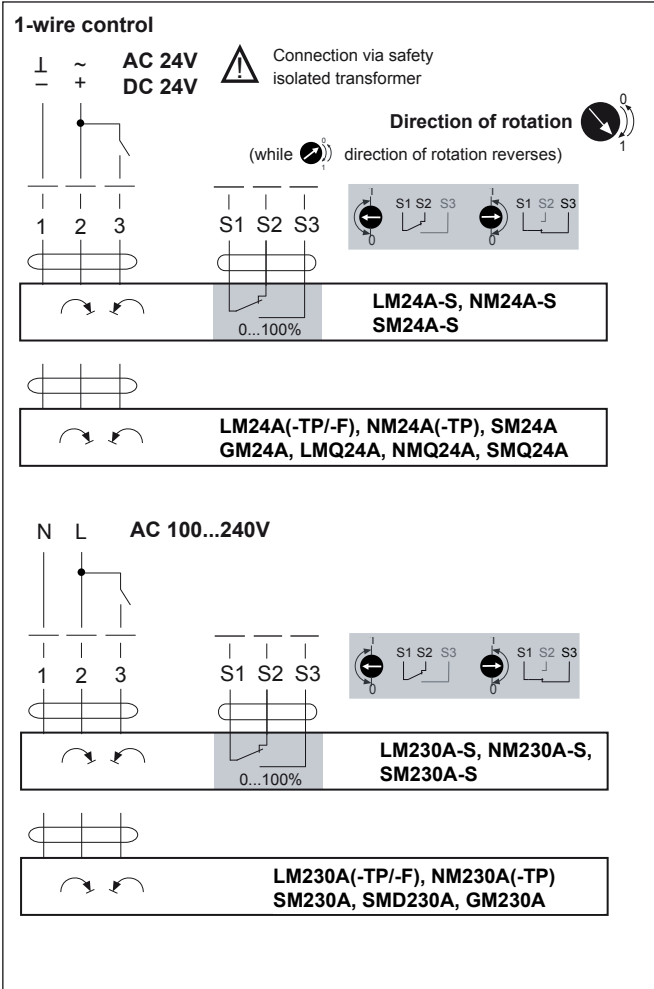
Dimensional drawings



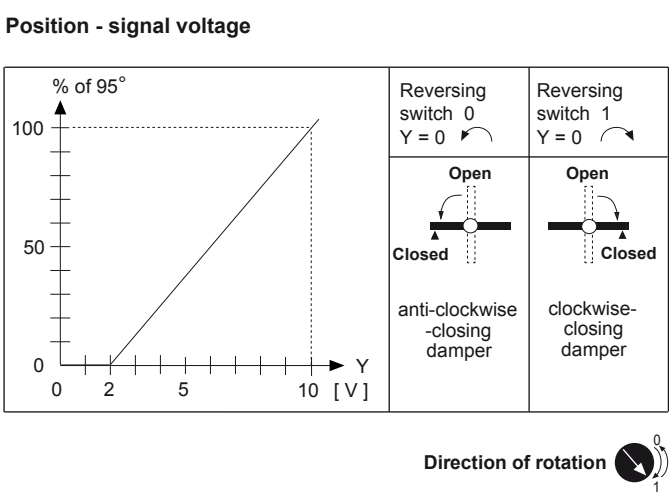
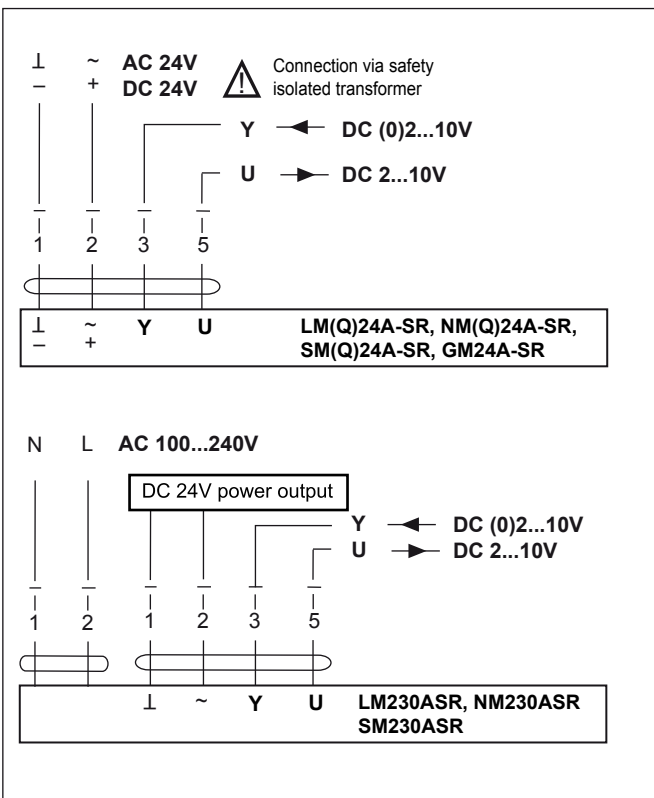
| Damper spindle | Length | ⌀ | □ | ◇ |
|----------------|--------|------------------------|----|-------|
| | ≥40 | 8...26.7 ¹⁾ | ≥8 | ≤26.7 |
| | ≥20 | 8...20 ¹⁾ | ≥8 | ≤20 |

¹⁾ CrNi (INOX) 12...20

Wiring diagrams: Open/Close actuators – parallel connection possible, please note the performance data



Wiring diagrams: Modulating actuators – parallel connection possible, please note the performance data



V6.2.03.2015•Subject to modification