



GREYSTONE ENERGY SYSTEMS INC

LOW PRESSURE TRANSMITTER LP3 Series

The LP3 series is used to measure positive, negative or differential pressure. The piezoresistive sensor is ideal for monitoring the pressure of air or other clean inert gas. Typical HVAC applications include monitoring of filter differential pressure or VAV applications. An integrated static pressure probe provides ease of installation for duct mounting. Several accessories are available.

SPECIFICATION:

Accuracy ±1% F.S.O.
 Measurement Type Differential (two port), Static, Velocity, & Total Pressure
 Response Time 250 ms
 Stability < ±1% F.S.O. per year
 Thermal Effects < ±3% over compensated range
 Compensated Range 0 - 50° C (32 - 122°F)
 Proof Pressure 40" W.C. (100" for 10" & 20" Models)
 Burst Pressure 60" W.C. (200" for 10" & 20" Models)
 Operating Conditions 0 - 70°C (32 - 158°F),
 10 - 90 %RH, non-condensing
 Power Supply 20 - 28 Vac/dc
 (non-isolated half-wave rectified)
 Supply Current < 4 mA
 Input Voltage Effect Negligible over operating range
 Protection Circuitry Reverse voltage protected and output limited
 Output Signal 4-20 mA (2-wire), 0-5 or 0-10 Vdc (3-wire), switch selectable
 Output Drive Capabilities Current: 400 ohms max @ 24 vdc
 Voltage: 10K ohms min
 Zero Adjustments Pushbutton auto-zero
 Wiring Connections Screw terminal block (14 to 22 AWG)
 Pressure Connection Barbed ports for 5 mm (0.170" ID) flexible tubing
 Conduit Connection 1/2" NPT conduit or cable gland
 Optional Display 3 1/2 digit LCD, 0.4" digit height
 Enclosures ABS, plenum rated
 Weight 159 grams (5.6 oz)

TYPICAL INSTALLATION:

For complete installation and wiring details, please refer to the product installation instructions.

The LP3 mounts on any surface using the two holes provided on the base of the unit. Make sure there is enough space around the unit to connect the pressure tubing without kinking and avoid locations where severe vibrations or excessive moisture are present.

The unit may be mounted in any position but typically is installed on a vertical surface with pressure ports on the right and the cable entrance on the left. If the unit has the integrated static pressure probe, drill a hole in the duct and insert so the probe point is facing into the airflow. The enclosure has a standard opening for a 1/2" conduit and may be installed with either conduit and a conduit coupler or a cable gland type fitting.



PART NUMBER SELECTED

PRODUCT SELECTION INFORMATION:

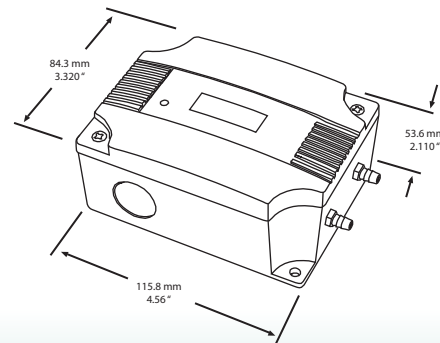
MODEL	Product Description
LP3	Low Pressure Transmitter

CODE	Options
A	Standard
B	LCD Display

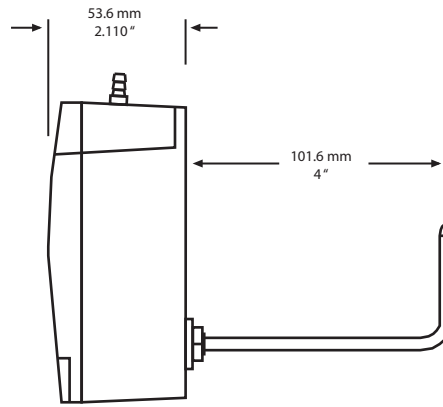
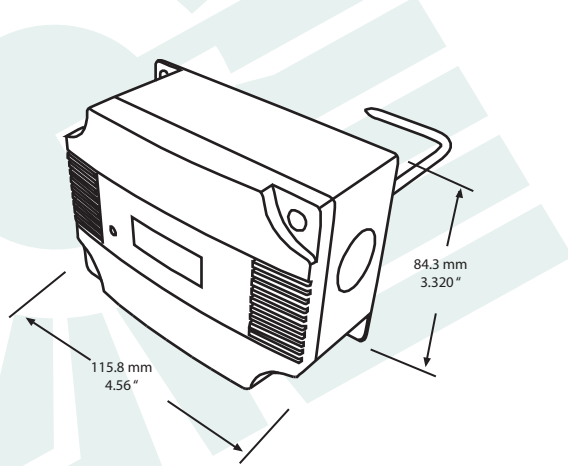
CODE	Range
00	±1", ±2", ±4", 0-1", 0-2", 0-4" W.C.
01	±3", ±5", ±8", 0-3", 0-5", 0-8" W.C.
02	±6", ±10", ±12", 0-6", 0-10", 0-12" W.C.
03	±10", ±15", ±20", 0-10", 0-15", 0-20" W.C.
04	±250, ±500, ±1000, 0-250, 0-500, 0-1000 Pa
05	±500, ±1000, ±2000, 0-500, 0-1000, 0-2000 Pa

CODE	Options
S	Integrated Static Pressure Probe

Greystone Energy Systems, Inc. reserves the right to make design modifications without prior notice.

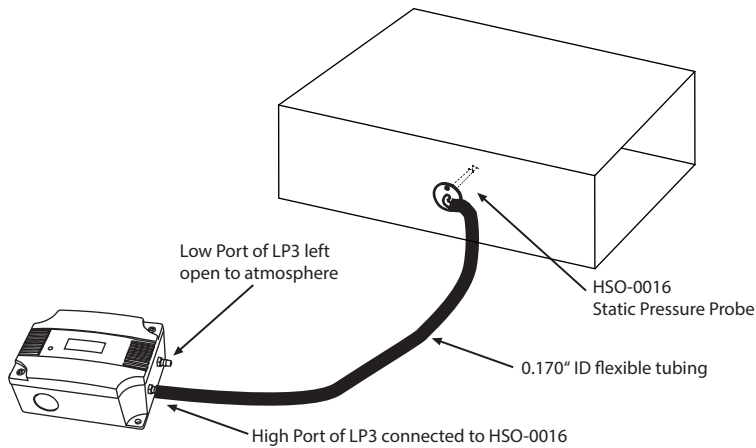


DIMENSIONS

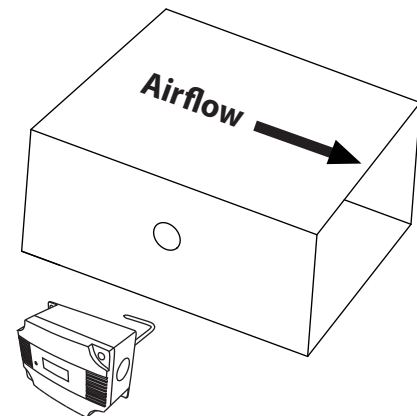


TYPICAL INSTALLATION:

Duct Static Pressure

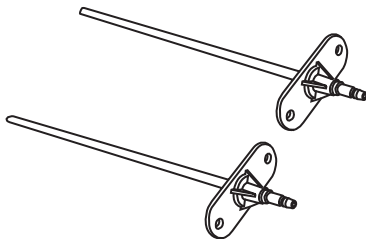


Duct Airflow Velocity

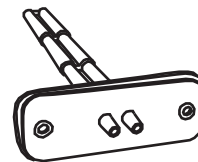


ACCESSORIES:

FPP & SPP - Pitot Tubes



SSS - Differential Pressure Probe



Greystone Energy Systems, Inc. reserves the right to make design modifications without prior notice.



GREYSTONE
ENERGY SYSTEMS INC

Greystone Energy Systems, Inc.
150 English Drive, Moncton,
New Brunswick, Canada E1E 4G7
(506) 853-3057 Fax: (506) 853-6014
North America: 1-800-561-5611
e-mail: mail@greystoneenergy.com
www.greystoneenergy.com

RoHS
COMPLIANT



Greystone Energy Systems Inc. is one of North America's largest ISO registered manufacturers of HVAC sensors and transmitters for Building Automation Management Systems. We have conscientiously established a worldwide reputation as an industry leader by maintaining leading-edge design technology, prompt technical support, and a commitment to on-time deliveries. We take pride in our Quality Management System which is ISO 9001 certified, assuring our customers of consistent product reliability.

GREYSTONE HAS AN **ISO 9001** REGISTERED QUALITY SYSTEM