

For operation of air control dampers that perform safety function

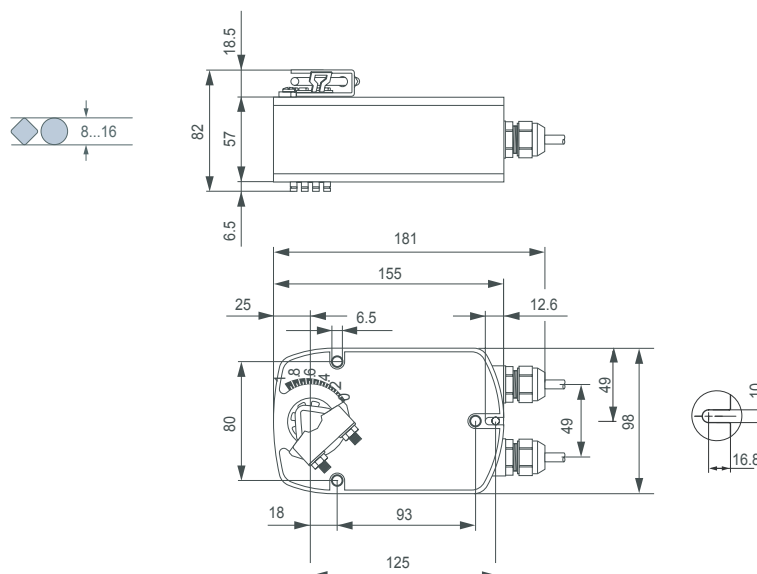
- Torque: 4Nm
- Nominal voltage: AC/DC 24V
- Control: Open/Close
- Integrated auxiliary switch (LF24-S)



Technical data

Electrical data	Nominal voltage	AC 24V 50/60Hz, DC 24V
	Nominal voltage range	AC 19.2...28.8V / DC 21.6...28.8V
	Power consumption	5W @ nominal torque / 2.5W @ holding
	For transformer sizing	7VA
	Auxiliary switch (-S)	1 SPDT, 1mA...3(0.5)A, AC 250V, adjustable
Functional data	Connection - motor	Cable 1m, 2x0.75mm ²
	- auxiliary switch (-S)	Cable 1m, 3x0.75mm ²
	Torque	4Nm @ nominal voltage
	Direction of rotation	Selectable by mounting L/R
	Angle of rotation	Max. 95°, 37...100% adjustable by mechanical stops
Safety	Running time - motor	40...75s
	- spring return	20s @ -20...+50°C / max. 60s @ -30°C
	Sound power level - motor	Max. 50dB(A)
	- spring return	Max. 62dB(A)
Dimensions / weight	Position indicator	Mechanical
	Protection class	III (safety extra-low voltage)
	Degree of protection	IP54
	EMC	CE according to 2004/108/EC
	Low voltage directive	CE according to 2006/95/EC
	Ambient temp.	-30...+50°C
	Non-operation temp.	-40...+80°C
	Humidity	5...95% RH, non-condensing
	Maintenance	Maintenance-free
	Dimensions (LxWxH)	See «Dimensions»
Shaft length	Clamp up	Min. 84mm
	Clamp down	Min. 20mm
Shaft		⌀ 8...16mm
Weight		Approx. 1.6kg

Dimensions [mm]



UL marked actuators is optional, please contact your local Sales Representative for details.

For operation of air control dampers that perform safety function

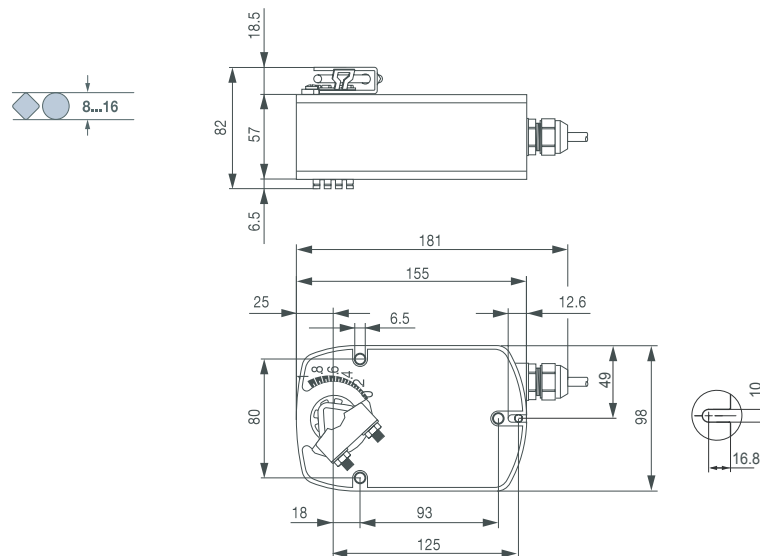
- Torque: 4Nm
- Nominal voltage: AC/DC 24V
- Control: 3-point



Technical data

Electrical data	Nominal voltage	AC 24V 50/60Hz, DC 24V
	Nominal voltage range	AC 19.2...28.8V / DC 21.6...28.8V
	Power consumption	2.5W @ nominal torque / 1W @ holding
	For transformer sizing	5VA
	Connection	Cable 1m, 4x0.75mm ²
Functional data	Torque	4Nm @ nominal voltage
	Direction of rotation	Selectable by mounting L/R
	Angle of rotation	Max. 95°, 37...100% adjustable by mechanical stops
	Running time	- motor 150s - spring return 20s @ -20...+50°C / max. 60s @ -30°C
	Sound power level	- motor Max. 30dB(A) - spring return Max. 62dB(A)
Safety	Position indicator	Mechanical
	Protection class	III (safety extra-low voltage)
	Degree of protection	IP54
	EMC	CE according to 2004/108/EC
	Low voltage directive	CE according to 2006/95/EC
	Ambient temp.	-30...+50°C
	Non-operation temp.	-40...+80°C
	Humidity	5...95% RH, non-condensing
	Maintenance	Maintenance-free
	Dimensions / weight	Dimensions (LxWxH)
Shaft length	Clamp up	Min. 84mm
	Clamp down	Min. 20mm
Shaft		⌀ 8...16mm
Weight		Approx. 1.4kg

Dimensions [mm]



Mechanical Fail-Safe Damper Actuator LF24-SR



For operation of air control dampers that perform safety function

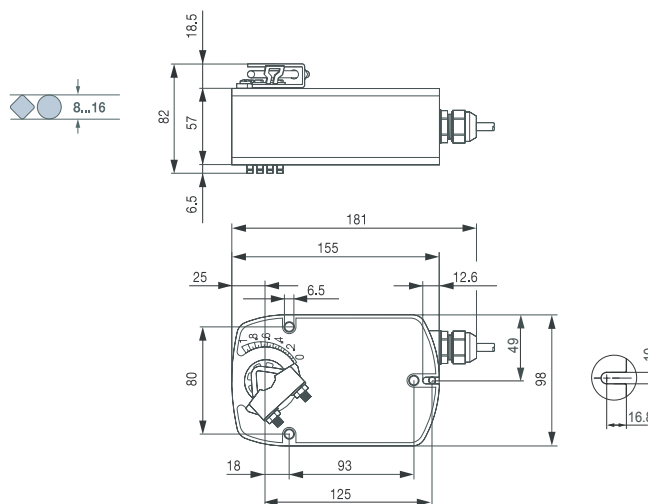
- Torque: 4Nm
- Nominal voltage: AC/DC 24V
- Control signal: DC (0)2...10V
- Position feedback: DC 2...10V



Technical data

Electrical data	Nominal voltage	AC 24V 50/60Hz, DC 24V	
	Nominal voltage range	AC 19.2...28.8V / DC 21.6...28.8V	
	Power consumption	2.5W @ nominal torque / 1W @ holding	
	For transformer sizing	5VA	
Functional data	Connection	Cable 1m, 4x0.75mm ²	
	Torque	4Nm @ nominal voltage	
	Control signal Y	DC (0)2...10V @ input impedance 100kΩ	
	Position feedback signal U	DC 2...10V @ max. 0.7mA	
	Direction of rotation	Selectable by L/R switch Selectable by L/R mounting	
	Angle of rotation	Max. 95°, 37...100% adjustable by mechanical stops	
	Running time	- motor 150s - spring return 20s @ -20...+50°C / max. 60s @ -30°C	
	Sound power level	- motor Max. 30dB(A) - spring return Max. 62dB(A)	
	Position indicator	Mechanical	
	Safety	Protection class	III (safety extra-low voltage)
Degree of protection		IP54	
EMC		CE according to 2004/108/EC	
Mode of operation		Type 1.AA (EN 60730-1)	
Ambient temp.		-30...+50°C	
Non-operation temp.		-40...+80°C	
Humidity		5...95% RH, non-condensing	
Maintenance		Maintenance-free	
Dimensions / weight		Dimensions (LxWxH)	See «Dimensions»
		Shaft length	Clamp up Min. 84mm Clamp down Min. 20mm
	Shaft	⌀ 8...16mm	
	Weight	Approx. 1.6kg	

Dimensions [mm]



For operation of air control dampers that perform safety function

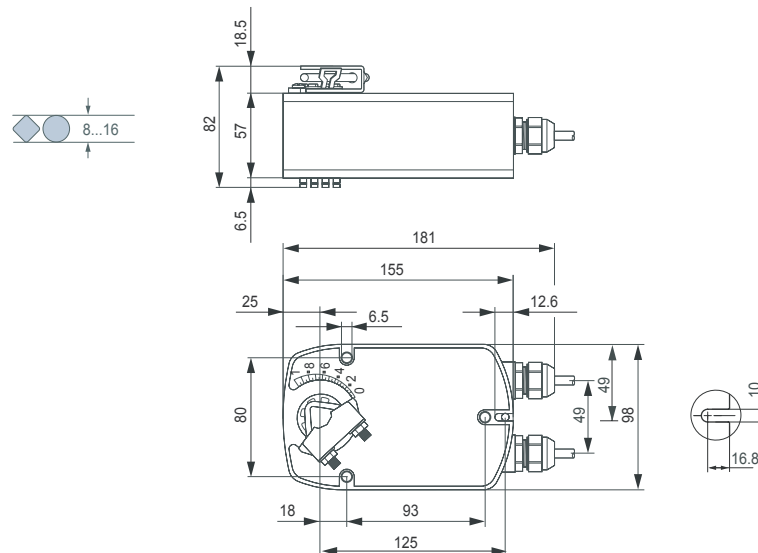
- Torque: 4Nm
- Nominal voltage: AC 230V
- Control: Open/Close
- Integrated auxiliary switch (LF230-S)



Technical data

Electrical data	Nominal voltage	AC 230V 50/60Hz
	Nominal voltage range	AC 198...264V
	Power consumption	5W @ nominal torque / 3W @ holding
	For transformer sizing	7VA
	Auxiliary switch (-S)	1 SPDT, 1mA...3(0.5)A, AC 250V, adjustable
	Connecting cable	-motor Cable 1m, 2x0.75mm ² -auxiliary switch (-S) Cable 1m, 3x0.75mm ²
Functional data	Torque	4Nm @ nominal voltage
	Direction of rotation	Selectable by mounting L/R
	Angle of rotation	Max. 95°, 37...100% adjustable by mechanical stops
	Running time	- motor 40...75s - spring return 20s @ -20...+50°C / max. 60s @ -30°C
	Sound power level	- motor Max. 50dB(A) - spring return Max. 62dB(A)
	Position indicator	Mechanical
Safety	Protection class	II (Totally insulated)
	Degree of protection	IP54
	EMC	CE according to 2004/108/EC CE according to 2006/95/EC
	Ambient temp.	-30...+50°C
	Non-operation temp.	-40...+80°C
	Humidity	5...95% RH, non-condensing
Dimensions / weight	Maintenance	Maintenance-free
	Dimensions (LxWxH)	See «Dimensions»
	Shaft length	Clamp up Min. 84mm Clamp down Min. 20mm
	Shaft	⌀ 8...16mm
	Weight	Approx. 1.8kg

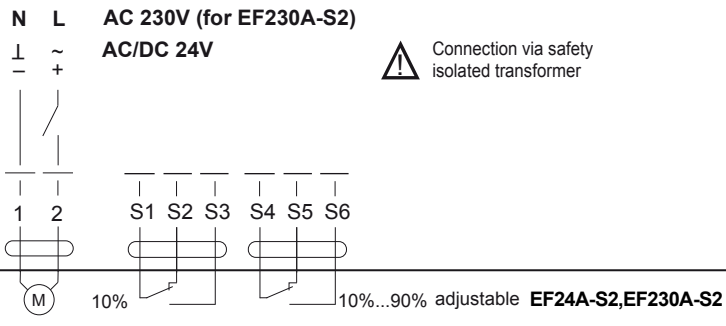
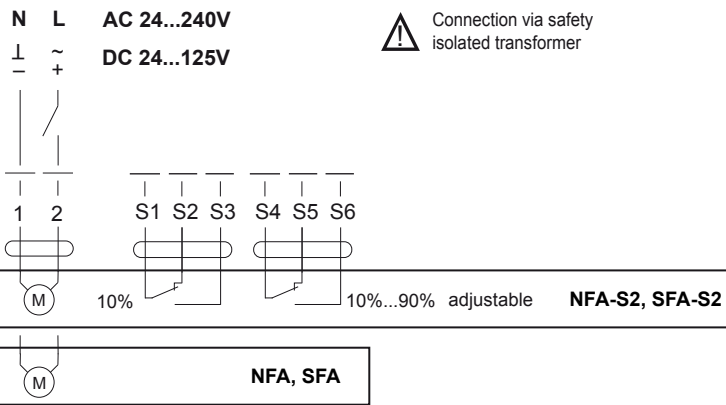
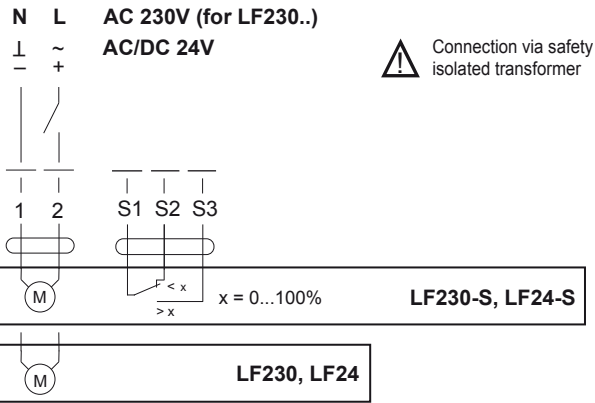
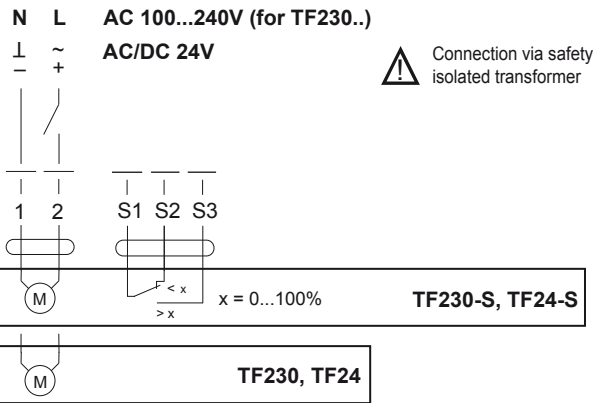
Dimensions [mm]



Wiring diagrams: Open/Close actuators

Notes:

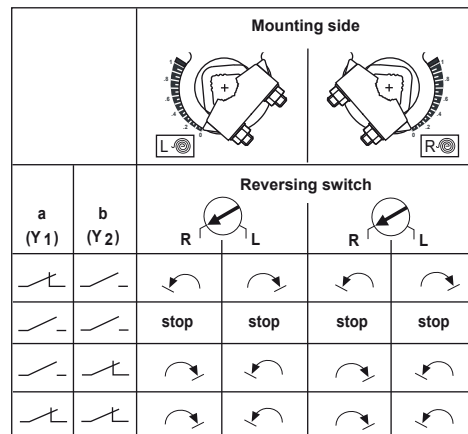
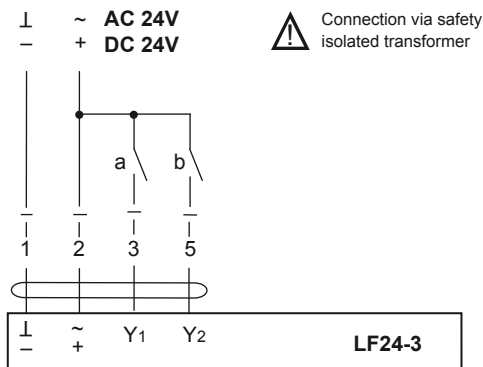
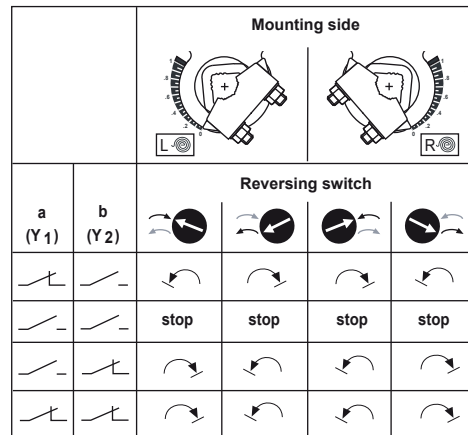
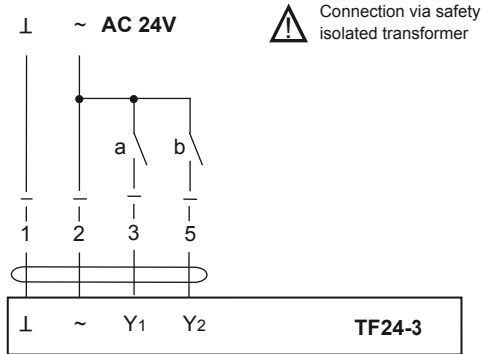
- Parallel connection of several actuators is possible.
- Power consumption must be observed.



Wiring diagrams: 3-point actuators

Notes:

- Connection via safety isolating transformer.
- Parallel connection of several actuators is possible.
- Power consumption must be observed.



Wiring diagrams: modulating actuators

Notes:

- Connection via safety isolating transformer.
- Parallel connection of several actuators is possible.
- Power consumption must be observed.

