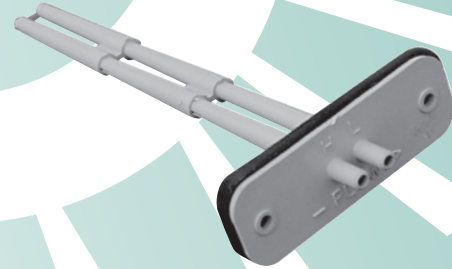




GREYSTONE ENERGY SYSTEMS INC

DIFFERENTIAL PRESSURE FLOW SENSOR DPFS Series

The DPFS sensors are designed to sense differential pressure in the inlet section of VAV (Variable Air Volume) terminal units and fan terminal units. They can also be used to sense differential pressure at other locations in the main or branch duct systems. The differential pressure read between the high "H" port and the low "L" port can be used to determine the air flow. Models offer up to nine sensing points and sensing lengths of 8.02 to 55.01 cm (3-5/32 to 21-21/32") to accommodate box size diameters of 10 to 76 cm (4 to 30").



SPECIFICATION:

Material.....Light gray ABS/polycarbonate (UL94-5V)
 Mounting.....Integral flange with gasket
 Connection.....6.35 mm (1/4") nipple for 9.5 mm (3/8") OD polyethylene tubing
 Operating Temp.....4 to 49° C (40 to 120° F)
 Weight.....28 grams (1 oz)
 12" up - Welded Construction
 Approvals.....RoHS compliant

TYPICAL INSTALLATION:

1. Install the unit horizontally to assure accurate velocity readings for units ranging from 8.02 to 25.26 cm (3-5/32" to 9-29/32"). If using a unit longer than the DPFS5, which is 25.26 cm (9-29/32"), vertical mounting is recommended.
2. Determine the duct's flow direction and install the Series DPFS based on the unit's flow arrow imprint.
3. Cut a 2.25 cm (7/8") hole in the ducting to accept the unit.
4. Attach using two self-tapping screws inserted in the 4.75 mm (3/16") mounting holes.

The Series DPFS utilizes 6.35 mm (1/4") ID, 9.5 mm (3/8") OD tubing. First check that there are no sharp bends in the tubing at any connection. Bends and creases may leak overtime as the tubing ages. Connect the "H" Port to the high input on the differential pressure gage, transmitter, or switch. Connect the "L" Port to the low input on the differential pressure gage, transmitter, or switch. It may be necessary to calibrate in order to insure an accurate measurement. You can do this by completing a traverse of the duct or fan to determine the delta P sensed by the DPFS vs. the actual flow.

PART NUMBER SELECTED

PRODUCT SELECTION INFORMATION:

| MODEL | Product Description |
|-------|-----------------------|
| DPFS | Averaging Flow Sensor |

| CODE | Probe Length | K Factor |
|------|----------------------|----------|
| 2 | 8.02 cm (3-5/32") | 1.32 |
| 3 | 13.73 cm (5-13/32") | 1.39 |
| 4 | 19.55 cm (7-21/32") | 1.46 |
| 5 | 25.26 cm (9-29/32") | 1.46 |
| 6 | 31.75 cm (12-1/2") | 1.58 |
| 7 | 37.47 cm (14-3/4") | 1.67 |
| 8 | 43.50 cm (17-1/8") | 1.78 |
| 9 | 49.29 cm (19-13/32") | 1.88 |
| 10 | 55.01 cm (21-21/32") | 2.01 |

DPFS 4

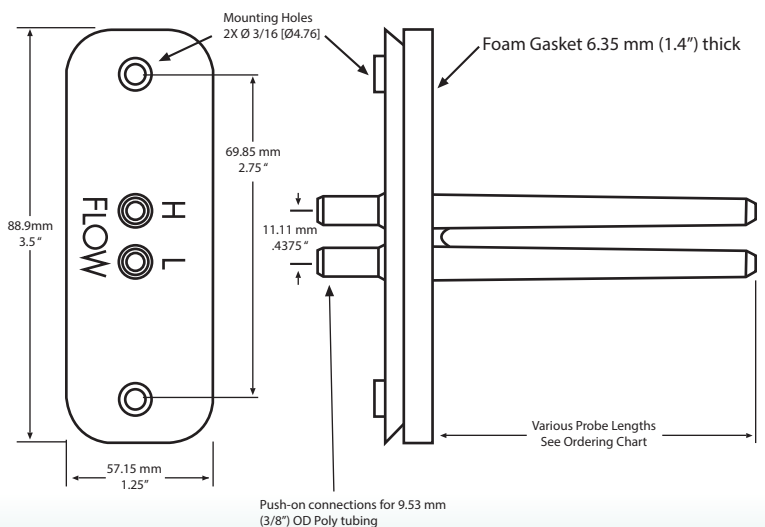
Greystone Energy Systems, Inc. reserves the right to make design modifications without prior notice.



GREYSTONE ENERGY SYSTEMS INC

Greystone Energy Systems, Inc.
 150 English Drive, Moncton, NB
 Canada E1E 4G7

(506) 853-3057 Fax: (506) 853-6014
 North America: 1-800-561-5611
 e-mail: mail@greystoneenergy.com
 www.greystoneenergy.com



RoHS COMPLIANT

