



# GREYSTONE ENERGY SYSTEMS INC

## MINI-CURRENT SWITCH CS-GnG-100

The CS Series current switch monitors line current for electrical loads such as pumps, conveyors, lighting, heaters or fans and closes the output contacts when the trip point is exceeded. The CS-GnG-100 has a factory set trip point of 0.5 Amps to provide Go/No Go status operation.

The sensor requires no external power as it is totally powered by induction from the AC line being monitored. The switch output is normally open and when the input current exceeds the trip setpoint the switch closes to provide an on/off digital signal to the controller



### SPECIFICATION:

Current Setpoint .....	Fixed at 0.5 Amps
Maximum Input Current .....	100 Amps continuous
Sensor Power .....	Self-powered
Output Type .....	Solid-state mosfet
Output Switch Action .....	Normally open
Output Switch Ratings .....	30 Vac/dc, 500 mA Max.
Von @ 24 Vdc at 500mA .....	< 50 mV
Frequency .....	50/60 Hz
Response Time .....	200 mS Typical
Insulation Class .....	600 Vac, Insulated conductors
Operating Temperature .....	-15 to 60 °C (5 to 140 °F)
Operating Humidity .....	5 to 90% RH non-condensing
Terminal Block .....	14 to 22 AWG
Dimensions .....	48 x 49 x 21 mm
	1.9 x 1.93 x 0.83 in)
Sensor Aperture .....	11.4 mm (0.45 in)
Enclosure Material .....	ABS/PC, UL94 V-0
Agency Approvals .....	cULus Listed

### PRODUCT ORDERING INFORMATION:

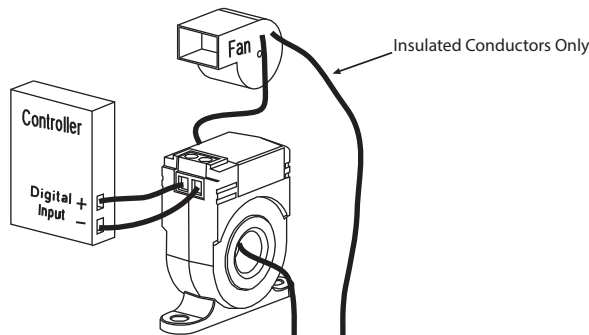
**CS-GnG-100 Mini Current Switch Go/ No Go**

### TYPICAL INSTALLATION:

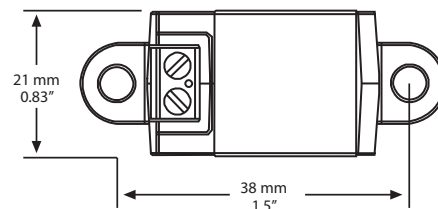
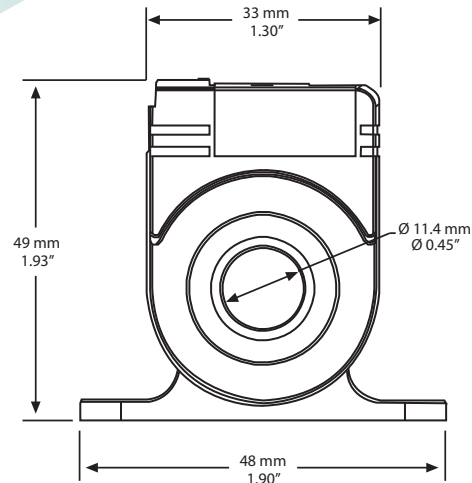
**For complete installation and wiring details, please refer to the product installation instructions.**

The CS-GnG-100 provides mounting tabs to secure the device inside a motor control panel using (2) # screws.

The sensor has a 2 wire connection to the Building Automation System.



600 Vac max  
100 Amps max



Greystone Energy Systems, Inc.  
150 English Drive, Moncton, NB  
Canada E1E 4G7

(506) 853-3057 Fax: (506) 853-6014  
North America: 1-800-561-5611  
e-mail: mail@greystoneenergy.com  
www.greystoneenergy.com

