



GREYSTONE ENERGY SYSTEMS INC

CURRENT SENSOR CS-650 Series

The CS-650 Series current sensors monitor line current for electrical loads such as pumps, conveyors, machine tools, or fans and output a 0-5 Vdc signal to represent the load current.

The CS-650 require no external power as they are totally powered by induction from the AC line being monitored.

The sensors are typically used to monitor motor operation and can be used to determine motor failure, belt loss, machine feed rates or tool wear.



SPECIFICATION:

Measurement Range..... **CS-650-R1:** 0-10/20/50 Amps
CS-650-R2: 0-50/100/150 Amps
CS-650-200: 0-200 Amps

Maximum Input Current..... **CS-650-R1:** 100 Amps Continuous
CS-650-R2: 150 Amps Continuous
CS-650-200: 250 Amps Continuous

Accuracy **CS-650-R1/R2:** ± 2% FSO (5-100% of range)
CS-650-200: ± 1% FSO (5-100% of range)

Signal Output 0-5 Vdc

Sensor Power Self-powered

Insulation Class 600 Vac, insulated conductors

Frequency 50/60 Hz

Response Time 200 mS Typical, 0-90 %

Output Load 1 MΩ typical

Loading Error add 0.5% error with 100KΩ

Operating Temperature -15 to 60 °C (5 to 140 °F)

Operating Humidity 5 to 90% RH non-condensing

Terminal Block 14 to 22 AWG

Dimensions..... 67 x 68.6 x 24.1 mm
(2.65 x 2.7 x 0.95 in)

Sensor Aperture..... 20.3 mm (0.8 in)

Enclosure Material..... ABS/PC, UL94 V-0

Agency Approvals..... cULus Listed

PART NUMBER SELECTED

PRODUCT SELECTION INFORMATION:

MODEL	Product Description
CS-650	Solid-core Current Sensor, 0-5 Vdc Output

CODE	Sensing Range	Maximum Input
R1	0-10/20/50 Amps - Switch Selectable	100 Amps Continuous
R2	0-50/100/150 Amps - Switch Selectable	150 Amps Continuous
200	0-200 Amps	250 Amps Continuous

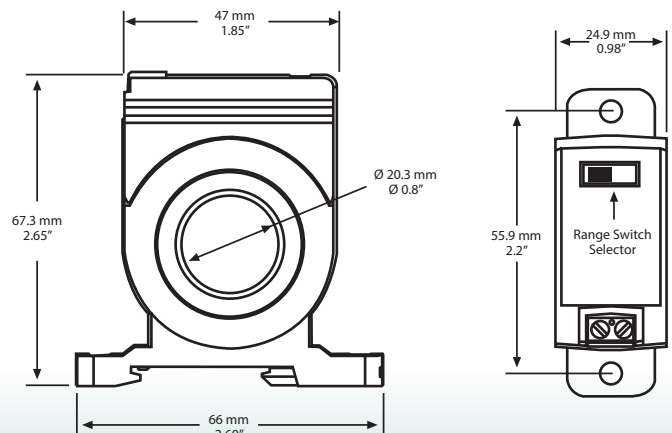
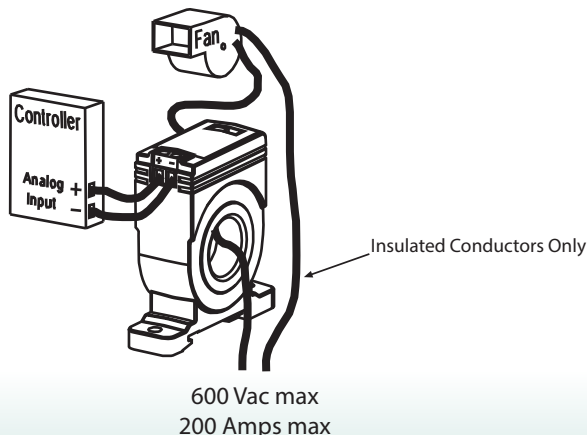
Greystone Energy Systems, Inc. reserves the right to make design modifications without prior notice.

TYPICAL INSTALLATION:

For complete installation and wiring details, please refer to the product installation instructions.

The CS-650 series must be mounted in an electrical enclosure and has an integral mounting tab to allow either screw mount to a surface or spring mount to a DIN rail.

The CS-650 series has a 2 wire connection to the Building Automation System.



Greystone Energy Systems, Inc.
150 English Drive, Moncton, NB
Canada E1E 4G7

(506) 853-3057 Fax: (506) 853-6014
North America: 1-800-561-5611
e-mail: mail@greystoneenergy.com
www.greystoneenergy.com

