

Damper actuator for operating air control dampers in ventilation and air-conditioning systems for building services installations

- Torque 2Nm
- Nominal voltage AC/DC 24V
- Control: Open-close or 3-point



Type overview

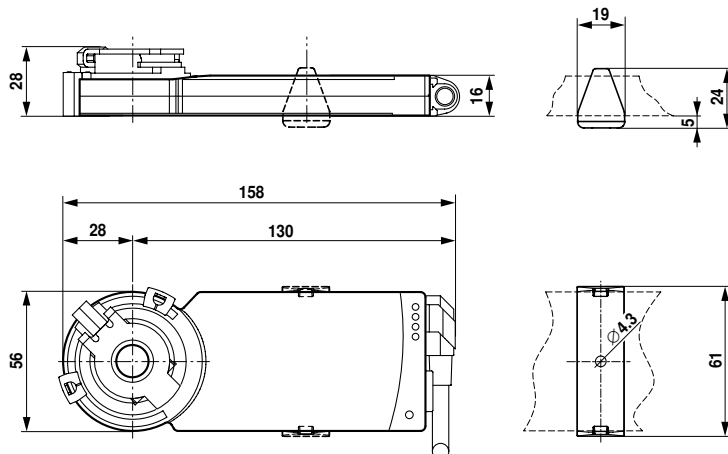
Type	Direction of rotation
CM24-L	counter-clockwise (ccw)
CM24-R	clockwise (cw)

Technical data

Electrical data	Nominal voltage	AC 24V, 50/60Hz / DC 24V	
	Nominal voltage range	AC/DC 19.2 ... 28.8V	
	Power consumption	In operation	0.5W @ nominal torque
		At rest	0.2W
	For wire sizing	1VA	
	Connection	Cable 1m, 3 x 0.75mm ²	
Functional data	Torque (nominal torque)	Min. 2Nm @ nominal voltage	
	Direction of rotation	See «Type overview»	
	Manual override	Gear disengagement with magnet	
	Angle of rotation	Without limit	Endless
		With limit	Fixed 315°↔ or 0...287.5°↔ with mechanical end stops, can be adjusted in 2.5°↔ increments
	Running time	75s / 90°↔	
	Sound power level	Max. 35dB(A)	
	Position indicator	Mechanical, pluggable (with integrated magnet for gear disengagement)	
	Safety	Protection class	III Safety extra-low voltage / UL Class 2 Supply
		Degree of protection	IP54 in any mounting position NEMA2, UL Enclosure Type 2
EMC		CE according to 2004/108/EC	
	Certification	cULus according to UL 60730-1A and UL 60730-2-14 and CAN/CSA E60730-1:02 Certified to IEC/EN 60730-1 and IEC/EN 60730-2-14	
	Mode of operation	Type 1 (EN 60730-1)	
	Rated impulse voltage	0.8kV (EN 60730-1)	
	Control pollution degree	3 (EN 60730-1)	
	Ambient temperature	-30...+50°C	
	Non-operating temperature	-40...+80°C	
	Ambient humidity	95% r.H., non-condensating (EN 60730-1)	
	Maintenance	Maintenance-free	
Dimensions / Weight	Dimensions	See «Dimensions»	
	Weight	Approx. 0.28kg	

Dimensions [mm]

Dimensional drawings



Damper spindle	Length	
	≥32	6...12.7

Modulating damper actuator for adjusting dampers in technical building installations

- Nominal torque 2Nm
- Nominal voltage AC/DC 24V
- Modulating control DC 0...10V
- Position feedback DC 2...10V
- Adaption



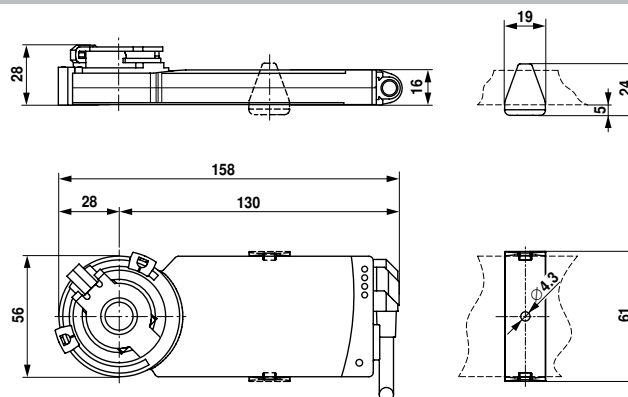
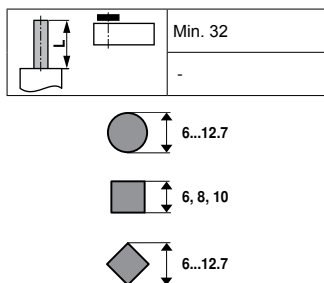
Technical data

Electrical data	Nominal voltage	AC/DC 24V
	Nominal voltage frequency	50/60 Hz
	Nominal voltage range	AC 19.2...28.8V / DC 19.2...28.8V
Power consumption	In operation	1W
	At rest	0.5W
	For wire sizing	1.5VA
	Connection supply / control	Cable 1m, 4 x 0.75mm ²
Functional data	Torque motor	Min. 2Nm
	Positioning signal Y	DC 0...10V
	Positioning signal Y note	Typical input impedance 100kΩ
	Operating range Y	DC 2...10V
	Position feedback U	DC 2...10V
	Position feedback U note	Max. 1mA
	Direction of rotation motor	Y = 0V, right end stop, position 0
	Manual override	Gear disengagement with magnet
	Angle of rotation	Max. 287.5°, can be limited at both ends with adjustable mechanical end stops Max. 360°, limited by means of mechanical end stops on the application
	Running time motor	75s / 90°
	Angle of rotation adaptation	Manual triggering of the adaption by the use of the magnet at the position intended for this purpose.
	Sound power level motor max.	35dB(A)
	Spindle driver	Universal spindle clamp 6...12.7mm
	Position indication	Mechanical, plug-in (with integrated magnet for gear disengagement)
	Safety	Protection class IEC/EN
Protection class UL		UL Class 2 Supply
Degree of protection IEC/EN		IP54
Degree of protection NEMA/UL		NEMA 2, UL Enclosure Type 2
EMC		CE according to 2004/108/EC
Certification		cULus according to UL 60730-1A and UL 60730-2-14 and CAN/CSA E60730-1:02 Certified to IEC/EN 60730-1 and IEC/EN 60730-2-14
Principle of operation		Type 1
Rated impulse voltage supply / control		0.8kV
Control pollution degree		3
Ambient temperature		-30...50°C
Non-operating temperature	-40...80°C	
Ambient humidity	95% r.h., non-condensing	
Maintenance	Maintenance-free	
Weight	Weight	Approx. 0.28kg

Dimensions [mm]

Dimensional drawings

Spindle length



UL marked actuators is optional, please contact your local Sales Representative for details.

Damper actuator for operating air control dampers in ventilation and air-conditioning systems for building services installations

- Torque 2Nm
- Nominal voltage AC/DC 24V
- Control: Open-close or 3-point V
- Connecting terminals



Type overview

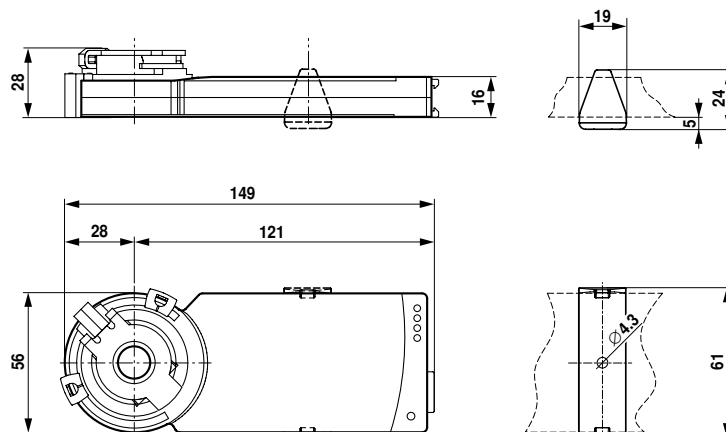
Type	Direction of rotation
CM24-T-L	counter-clockwise (ccw)
CM24-T-R	clockwise (cw)

Technical data

Electrical data	Nominal voltage	AC 24V, 50/60Hz / DC 24V
	Nominal voltage range	AC/DC 19.2...28.8V
	Power consumption	In operation 0.5W @ nominal torque At rest 0.2W For wire sizing 1VA
	Connection	Terminals for 3 x 1.5mm ² CU wire or 3 x 1.0mm ² CU litz wires
Functional data	Torque (nominal torque)	Min. 2Nm @ nominal voltage
	Direction of rotation	See «Type overview»
	Manual override	Gear disengagement with magnet
	Angle of rotation	Without limit Endless With limit Fixed 315°↔ or 0...287.5°↔ with mechanical end stops, can be adjusted in 2.5°↔ increments
	Running time	75s / 90°↔
	Sound power level	Max. 35dB(A)
	Position indicator	Mechanical, pluggable (with integrated magnet for gear disengagement)
Safety	Protection class	III Safety extra-low voltage / UL Class 2 Supply
	Degree of protection	IP20 in any mounting position NEMA1, UL Enclosure Type 1
	EMC	CE according to 2004/108/EC
	Certification	cULus according to UL 60730-1A and UL 60730-2-14 and CAN/CSA E60730-1:02 Certified to IEC/EN 60730-1 and IEC/EN 60730-2-14
	Mode of operation	Type 1 (EN 60730-1)
	Rated impulse voltage	0.8kV (EN 60730-1)
	Control pollution degree	2 (EN 60730-1)
	Ambient temperature	-30...+50°C
	Non-operating temperature	-40...+80°C
	Ambient humidity	95% r.H., non-condensating (EN 60730-1)
	Maintenance	Maintenance-free
Dimensions / Weight	Dimensions	See «Dimensions»
	Weight	Approx. 0.21kg

Dimensions [mm]

Dimensional drawings



Damper spindle	Length	
	≥32	6...12.7

Damper actuator for operating air control dampers in ventilation and air-conditioning systems for building services installations

- Torque 2Nm
- Nominal voltage AC 100...240V
- Control: Open-close or 3-point



Type overview

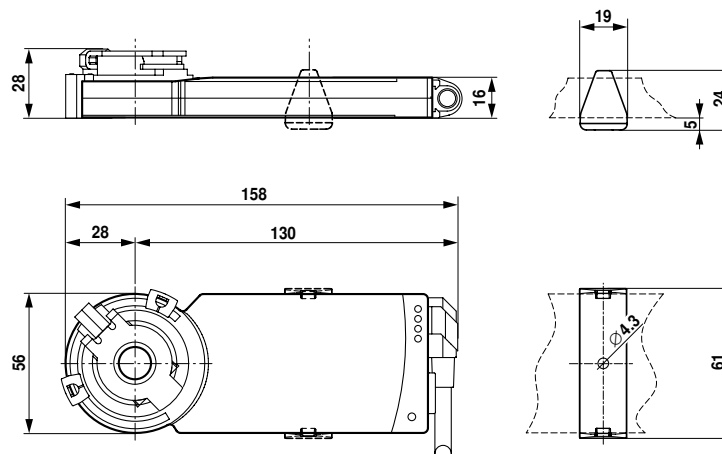
Type	Direction of rotation
CM230-L	counter-clockwise (ccw)
CM230-R	clockwise (cw)

Technical data

Electrical data	Nominal voltage	AC 100...240V, 50/60Hz	
	Nominal voltage range	AC 85...265V	
	Power consumption	In operation	1.5W @ nominal torque
		At rest	1W
	For wire sizing	3VA	
	Connection	Cable 1m, 3 x 0.75mm ²	
Functional data	Torque (nominal torque)	Min. 2Nm @ nominal voltage	
	Direction of rotation	See «Type overview»	
	Manual override	Gear disengagement with magnet	
	Angle of rotation	Without limit	Endless
		With limit	Fixed 315°↔ or 0...287.5°↔ with mechanical end stops, can be adjusted in 2.5°↔ increments
	Running time	75s / 90°↔	
	Sound power level	Max. 35dB(A)	
	Position indicator	Mechanical, pluggable (with integrated magnet for gear disengagement)	
	Safety	Protection class	II totally insulated □
		Degree of protection	IP54 in any mounting position NEMA2, UL Enclosure Type 2
EMC	Low voltage directive	CE according to 2004/108/EC	
	Certification	CE according to 2006/95/EC	
	Certification	cULus according to UL 60730-1A and UL 60730-2-14 and CAN/CSA E60730-1:02 Certified to IEC/EN 60730-1 and IEC/EN 60730-2-14	
	Mode of operation	Type 1 (EN 60730-1)	
	Rated impulse voltage	2.5kV (EN 60730-1)	
	Control pollution degree	3 (EN 60730-1)	
	Ambient temperature	-30...+50°C	
	Non-operating temperature	-40...+80°C	
	Ambient humidity	95% r.H., non-condensating (EN 60730-1)	
	Maintenance	Maintenance-free	
	Dimensions / Weight	Dimensions	See «Dimensions»
		Weight	Approx. 0.28kg

Dimensions [mm]

Dimensional drawings



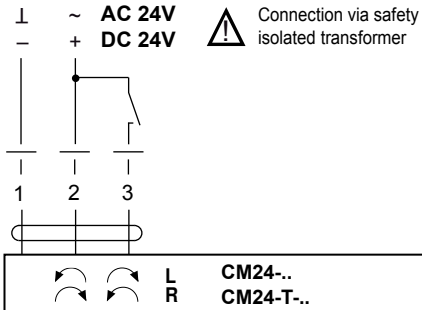
Damper spindle	Length	
	≥32	6...12.7

Wiring diagrams: CM..series actuators

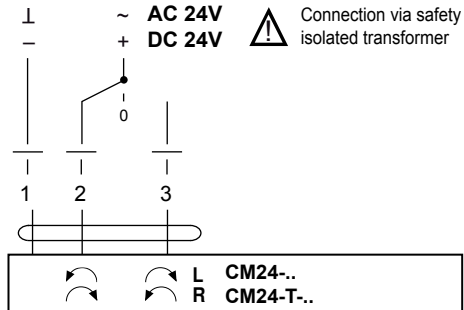
Notes:

- Parallel connection of several actuators is possible.
- Power consumption must be observed.

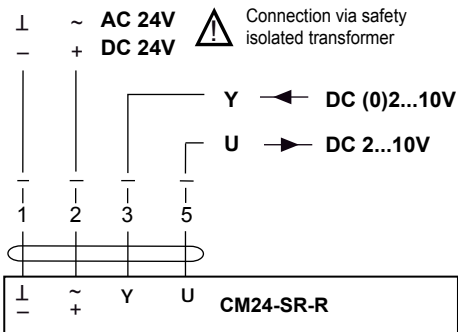
Open/Close control



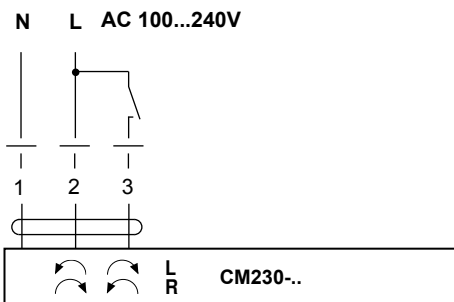
3-point control



Modulating control



Open/Close control



3-point control

